

SNC-ER585

Network Rapid Dome Camera – E Series

SONY
make.believe

Unitized Outdoor 1080p Full HD Rapid Dome Camera

- Powerful 30x optical zoom capability
- Excellent 1080p Full HD picture quality
- Operating temperature from -40°C to +60°C
- High-speed 360 degrees endless rotation
- Dynamic range of 86 dB (theoretical) achieved with DynaView™ technology
- IP66-rated waterproof and dust-tight feature
- IK10-rated vandal-resistant feature



KEY FEATURES

- 30x optical and total zoom ratio of 360x with 12x digital zoom
- Excellent 1080p Full HD picture quality at 30 fps (1920 x 1080 maximum resolution)
- The Exmor™ CMOS sensor realizes high-quality and low-noise images
- Three codecs (H.264, MPEG-4, JPEG) and dual-streaming capability
- Operating temperature from -40°C to +60°C
- High-speed 360 degrees endless rotation
- Above-the-horizon tilt – 15° tilt-up, total tilt range of 210°
- DynaView — Wide-D technology to handle various lighting conditions in a scene

Exmor™



Normal Shutter Speed



High Shutter Speed

DynaView



With Wide-D Technology
(simulated images)

* When using Wide-D technology, the maximum frame rate becomes 15 fps.

- IP66-rated waterproof and dust-tight feature for outdoor surveillance, or indoor where water ingress may pose an issue
- IK10-rated vandal-resistant feature to protect the camera from destructive behaviors
- True Day/Night function to switch to Day or Night mode depending on the light level
- DEPA™ Intelligent Video Analytics system can be set up with a DEPA-enabled recorder
- Image Stabilizer to minimize the effect of camera shake or vibration, avoiding blurry images
- SD memory card slot for an on-board recording capability*1*2
- Smartphone viewer for accessing the camera from a smartphone*3
- ONVIF (Open Network Video Interface Forum) Profile S conformance



*1 The on-board recording function cannot be used simultaneously with the intelligent motion detection function and the tamper alarm function.

*2 Data recorded on an SD memory card may be lost or damaged by data access during power-off, mechanical shock, memory card detachment, or other operations. Data loss or damage can also occur when a memory card reaches end of life, which varies according to operational conditions. No guarantee is given against damage (including passive damage).

*3 For details, please contact your local Sony office.

SPECIFICATIONS

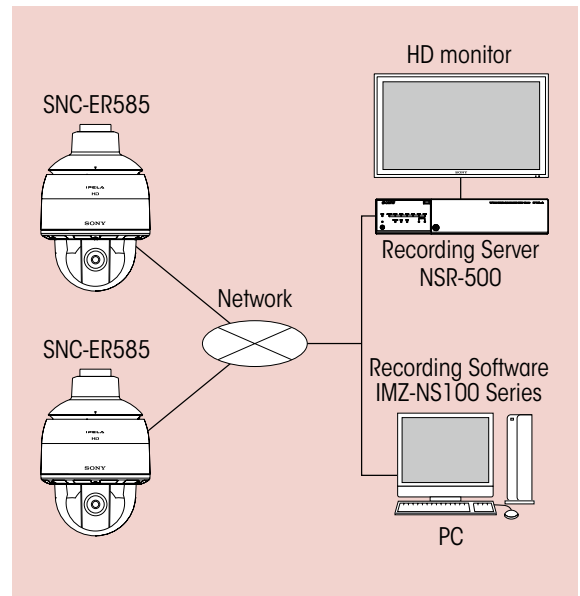
SNC-ER585	
Camera	
Image Sensor	1/2.8-type Exmor CMOS
Image Sensor (Number of Effective Pixels)	Approx. 3.27 Megapixels
Minimum Illumination (50 IRE)	Color: 1.7 lx (F1.6, shutter 1/30 s, AGC ON, 50 IRE) B/W: 0.3 lx (F1.6, shutter 1/30 s, AGC ON, Night Mode, 50 IRE)
Minimum Illumination (30 IRE)	Color: 1.2 lx (F1.6, shutter 1/30 s, AGC ON, 30 IRE) B/W: 0.18 lx (F1.6, shutter 1/30 s, AGC ON, Night Mode, 30 IRE)
Dynamic Range	Theoretically 86 dB with DynaView Technology
S/N Ratio	More than 50 dB (Gain 0 dB)
Gain	Auto/Manual (-3 dB to +28 dB)
Shutter Speed	1/1 s to 1/10000 s
Sync System	Internal synchronization
Exposure Control	Full auto, Shutter priority, Iris priority, Manual
White Balance	Auto, Advanced Auto, ATW, Indoor, Outdoor, One-push, Manual, Sodium vapour lamp
Lens	Auto-focus Zoom Lens
Powered Zoom	Yes
Zoom Ratio	Optical zoom 30x, Digital zoom 12x, Total zoom 360x
Powered Focus	Yes
Horizontal Viewing Angle	59.5° to 2.1°
Focal Length	f = 4.3 mm to 129.0 mm
F-Number	F1.6 to F4.7
Minimum Object Distance	300 mm (wide) to 1200 mm (tele)
Par/Tilt Angle	360° endless rotation/210°
Par/Tilt Speed	300°/s (max.)/300°/s (max.)
Preset Position	256
Tour	5
Camera Features	
Day/Night	Yes (True D/N)
Wide-D	Yes (DynaView)
Noise Reduction	Yes
Image Stabilizer	Yes ¹
Image	
Codec Image Size (H x V)	1920 x 1080, 1680 x 1056, 1280 x 1024, 1440 x 912, 1280 x 960, 1376 x 768, 1280 x 800, 1280 x 720, 1024 x 768, 1024 x 576, 800 x 600, 800 x 480, 768 x 576, 720 x 576, 704 x 576, 720 x 480, 640 x 480, 640 x 368, 384 x 288, 320 x 240, 320 x 192
Video Compression Format	H.264, MPEG-4, JPEG
Codec Streaming Capability	Dual streaming ²
Maximum Frame Rate	H.264: 30fps (1920 x 1080) ³ MPEG-4: 30fps (1440 x 912) ³ JPEG: 30fps (1440 x 912) ³
Audio	
Audio Compression Format	G.711/G.726
Scene Analytics	
Intelligent Motion Detection	Yes
Rule-based Filter	DEPA
Network	
Protocols	IPv4, IPv6, TCP, UDP, ARP, ICMP, IGMP, HTTP, HTTPS, FTP, SMTP, DHCP, DNS, NTP, RTP/RTCP, RTSP, SNMP (MIB-2)
ONVIF Conformance	Yes (Profile S)
Number of Clients	5
Authentication	IEEE802.1X
Interface	
Line Output	Mini jack (monaural), Maximum output level: 1Vrms
Network Port	10BASE-T / 100BASE-TX (RJ-45)
Sensor Input	x2 (normally open/normally closed configurable)
Alarm Output	x 1, 24 V AC/DC, 1 A (mechanical relay outputs electrically isolated from the camera)
Microphone Input	Mini jack (monaural)
Card Slots	SD Card x 1
System Requirements	
Operating System	Windows XP (32 bit) Professional Edition Windows Vista (32 bit) Ultimate, Business Edition Windows 7 (32/64 bit) Ultimate, Professional Edition
Processor	Intel Core i7 2.8 GHz or higher
Memory	2 GB or more
Web Browser	Microsoft Internet Explorer Ver. 7.0, Ver. 8.0, Ver. 9.0 Firefox Ver. 3.5 (Plug-in free viewer only) Safari Ver. 4.0 (Plug-in free viewer only) Google Chrome Ver. 4.0 (Plug-in free viewer only)
General	
Power Requirements	AC 24 V
Power Consumption	Heater ON: 76 W max., Heater OFF: 26 W max.
Operating Temperature	-40°C to +60°C (-40°F to +140°F)
Starting Temperature	-40°C to +60°C (-40°F to +140°F)
Storage Temperature	-20°C to +60°C (-4°F to +140°F)
Operating Humidity	20% to 80%
Storage Humidity	20% to 95%
Vandal Resistant	IK10
Dimensions (W x H x D)	ø 222.0 mm x 324.1 mm (ø 8 3/4 inches x 12 7/8 inches)
Mass	Approx. 4.3 kg (9 lb 8 oz)
Safety Regulations	JATE Technical standard (LAN) UL2044, IEC60950-1 (CB) VCCI (Class A), FCC (Class A), IC (Class A) Emission: EN55022 (Class A) + EN50130-4 Immunity: EN55022 (Class A) + EN55024 Emission: AS/NZS CISPR22 (Class A) C-Tick Class A Russia GOST-R KCC
Ingress Protection	IP66
Supplied Accessories	CD-ROM (User's guide, Supplied programs) (1), Installation manual (1), Dome cover (1), Top sunshade (1), Coupling (1), Wire fixing belt (1), Wire bracket (1), Bolts (2), Power supply connector (1), V/O harness (1), Harness band (1), Band mount (1)

¹ Default setting: OFF

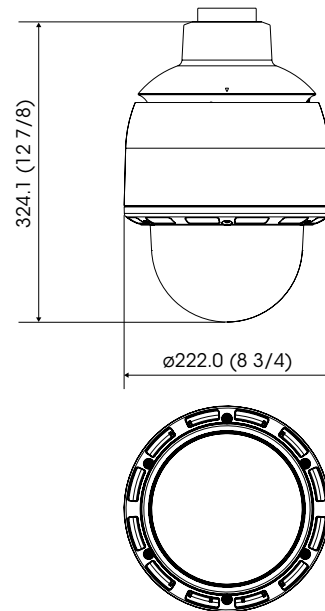
² Dual streaming (Any combination with JPEG/MPEG-4/H.264, including multiple streams of the same format)

³ When using DynaView technology, the maximum frame rate becomes 15 fps

SYSTEM CONFIGURATION



DIMENSIONS



Unit: mm (inches)

Distributed by

©2012 Sony Corporation. All rights reserved.
 Reproduction in whole or in part without written permission is prohibited.
 Features and specifications are subject to change without notice.
 The values for mass and dimension are approximate.
 "Sony", "make.believe", "DynaView", "IPELA", "Exmor", and "DEPA" are
 trademarks of Sony Corporation.
 All other trademarks are the properties of their respective owners.